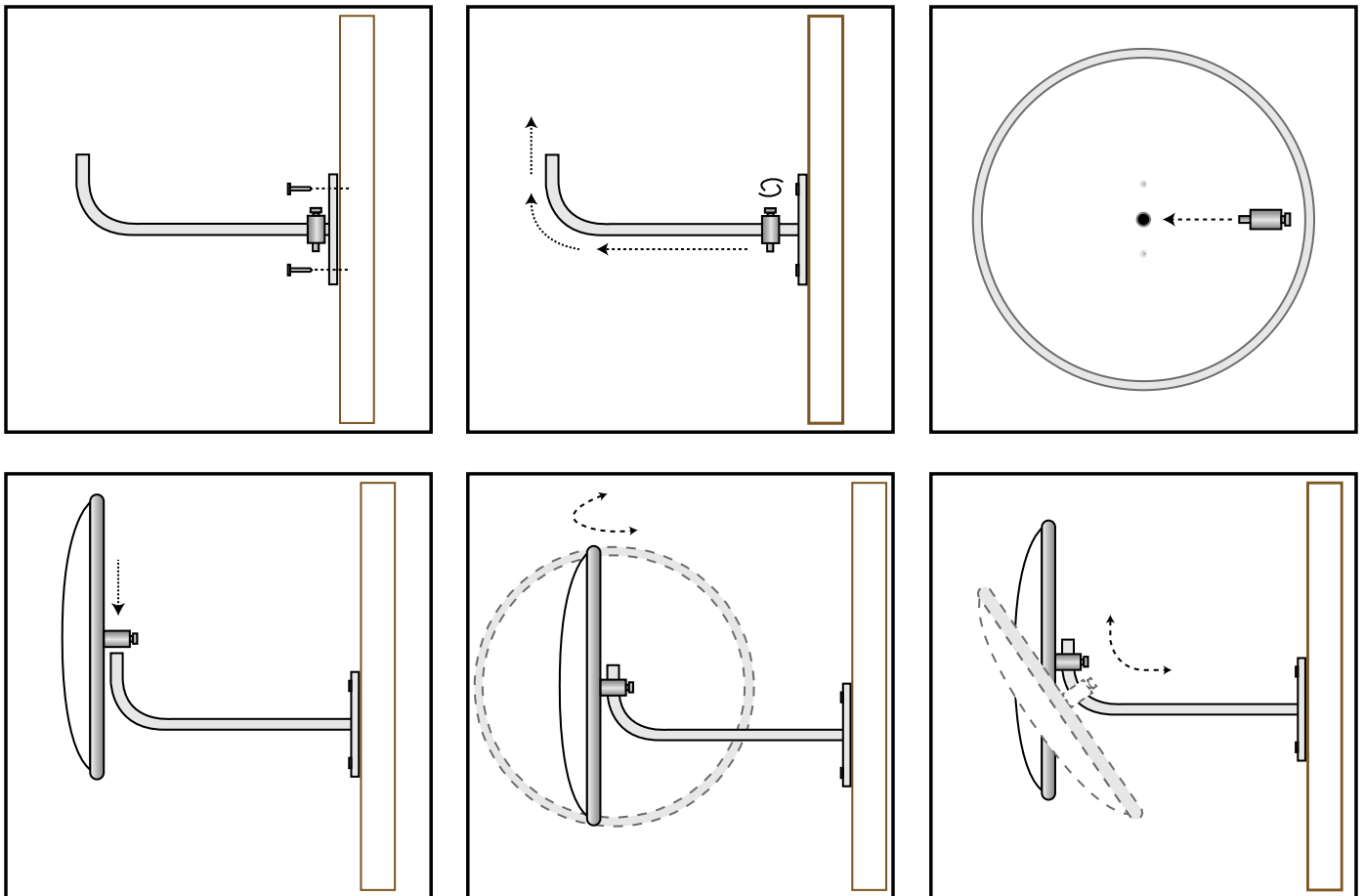


## GENERAL PURPOSE INDOOR MIRROR INSTALLATION GUIDE

1. Decide the appropriate place to site the mirror to give maximum vision.
2. Fix J-Bracket to wall or ceiling using suitable mounting hardware (ie: screws, bolts). Allowing enough room to get the mirror on to the Bracket.
3. Unscrew the adaptor from the Bracket. Thread the adaptor into the back of the mirror.
4. Peel protective film off around the immediate edge of the mirror.
5. Slide the adaptor and mirror over the Bracket and adjust mirror to the desired position.
6. Tighten the adaptor securely in position.
7. Remove the protective film from the mirror face completely.



### CONVEX MIRROR SHOP



Victoria  
Australia



contactus@convexmirror.com.au  
www.convexmirror.com.au



1800-802-506

