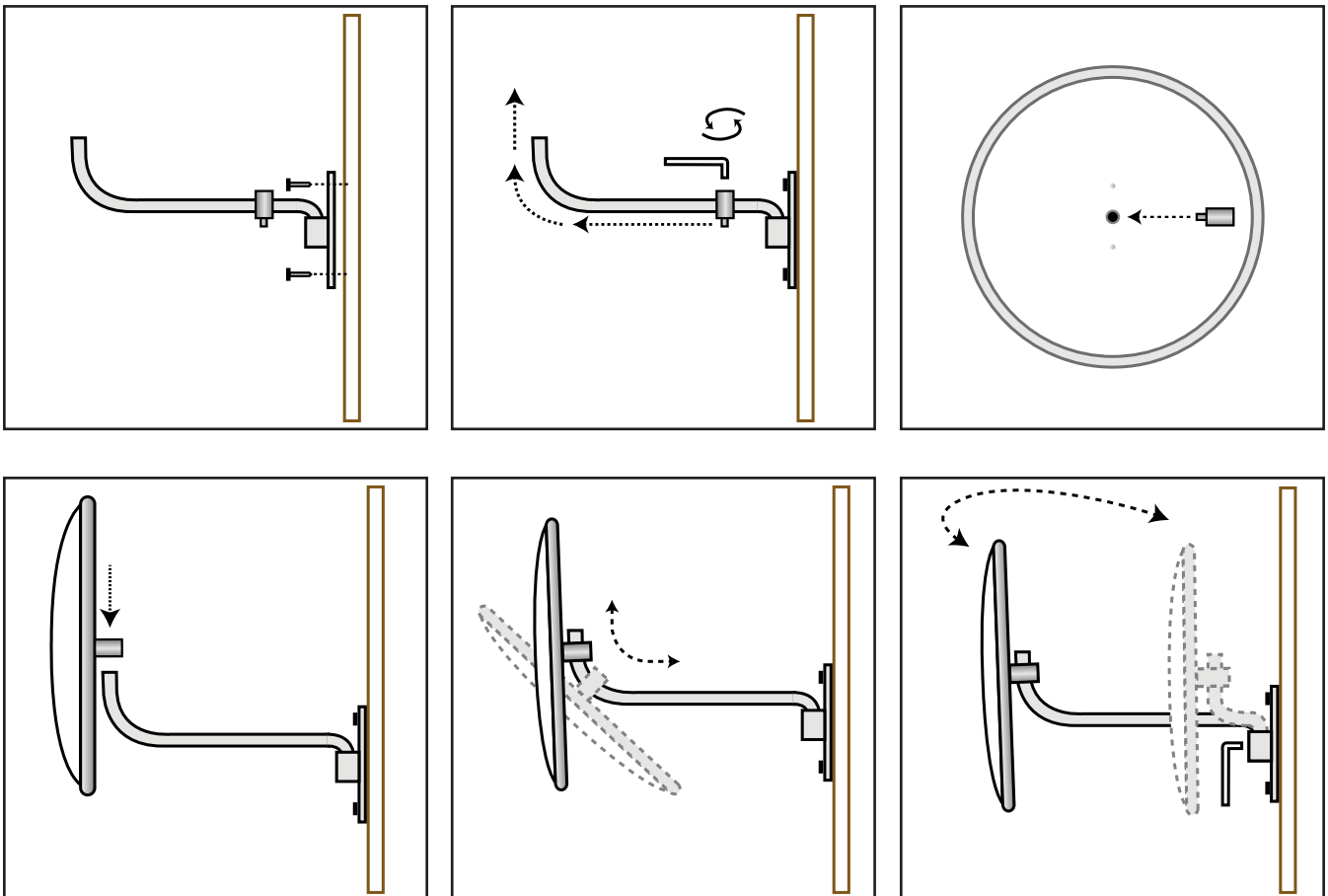


GENERAL PURPOSE INDOOR OUTDOOR MIRROR INSTALLATION GUIDE

1. Decide the appropriate place to site the mirror to give maximum vision.
2. Fix Swivel-Bracket to wall or ceiling using suitable mounting hardware (ie: screws, bolts). Allowing enough room to get the mirror on to the Bracket.
3. Unscrew the adaptor from the Bracket with the Allen Key. Thread the adaptor into the back of the mirror.
4. Peel protective film off around the immediate edge of the mirror.
5. Slide the adaptor and mirror over the Bracket and adjust mirror to the desired position.
6. Tighten the adaptor securely in position with the Allen Key.
7. Angle the bracket horizontally to the preferred position, then tighten the bracket in place with the supplied Allen Key.
8. Remove the protective film from the mirror face completely.



CONVEX MIRROR SHOP

Victoria
Australia

contactus@convexmirror.com.au
www.convexmirror.com.au

1800-802-506

