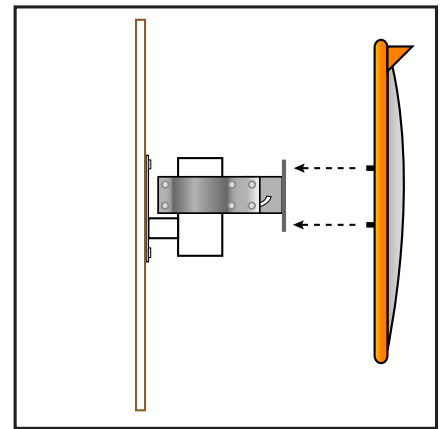
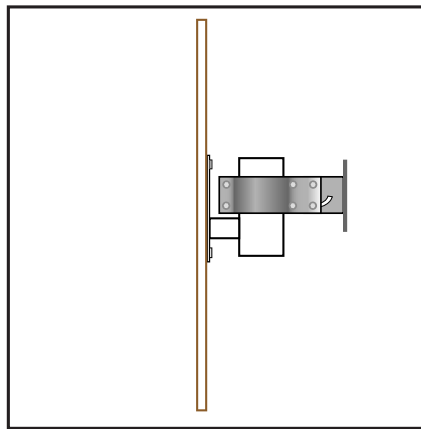
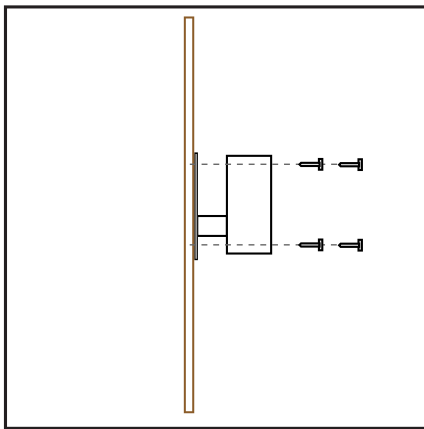
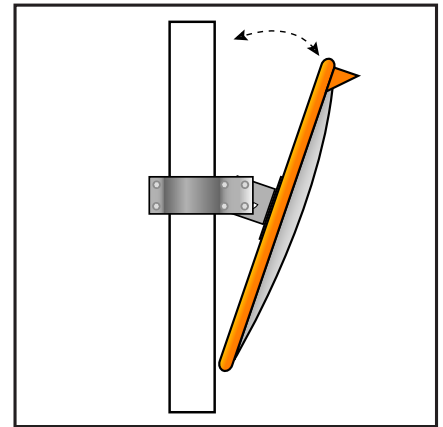
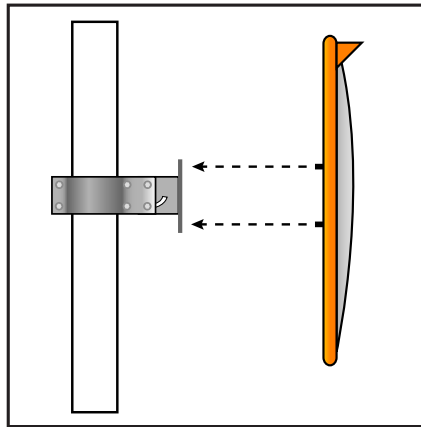
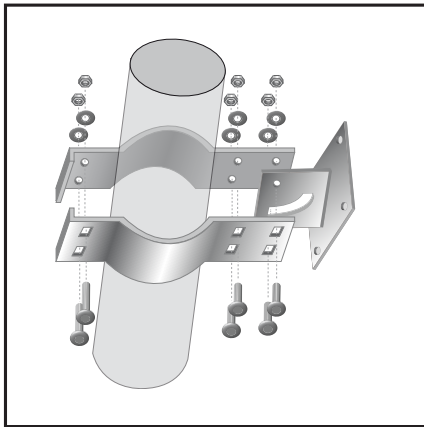


1000mm DELUXE TRAFFIC MIRROR INSTALLATION GUIDE

1. Make sure you have a 75mm pole to position the mirror on.
2. Fix clamp and mirror mount assembly to the pole.
3. Make sure adjustment slot is to the bottom.
4. Fix the mirror to the clamp bracket.
5. Once the desired position has been found, tighten the bolts and nuts.



Wall Mounting with Optional Wall Mounting Adaptor:

1. Decide the appropriate place to site the mirror (on a flat surface) and fix the Wall Mounting Adaptor using suitable hardware.
2. Fix the clamp and mirror mount assembly to the Wall Mounting Adaptor making sure the slot is to the bottom.
3. Fix the mirror face to the clamp bracket.
4. Once the desired position has been found, tighten the bolts and nuts.

CONVEX MIRROR SHOP

Victoria
Australia

contactus@convexmirror.com.au
www.convexmirror.com.au

1800-802-506

